

Original BMW Accessories.

Installation Instructions.



M Performance Steering Wheel Retrofit

BMW 5 Series Saloon (G30)

BMW 5 Series Touring (G31)

BMW 6 Series Gran Turismo (G32)

Retrofit kit number

32 30 2 448 757 Steering wheel

32 30 2 444 448 Steering wheel

Installation time

The installation time is **approx. 0.75 hours**. This may vary depending on the condition of the car and its equipment package.

The installation time shown does not include any time spent on programming/coding.

The calculation of the total costs for the programming time must be factored into the calculation of retrofitting costs (must not be invoiced under the warranty).

Important information

These installation instructions are primarily designed for use within the BMW dealership organisation and by authorised BMW service companies.

These installation instructions are intended for use by qualified specialist staff trained on BMW vehicles with the relevant expert knowledge.

All work must be completed using the latest BMW repair manuals, wiring diagrams, servicing manuals and work instructions, in a rational order, using the prescribed tools (special tools) and observing current health and safety regulations.

If you experience installation or function problems, restrict troubleshooting to approx. 0.5 hours for mechanical work and 1.0 hour for electrical work.


To avoid unnecessary extra work and/or costs, send an inquiry straight away to the technical parts support team via the Aftersales Assistance Portal (ASAP).

Quote the following information:

- Chassis number,
- Retrofit kit part number,
- A detailed description of the problem,
- and any work already carried out.

Do not archive the hard copy of these installation instructions since daily updates are provided via ASAP.

Pictograms

 Denotes instructions that draw your attention to dangers.

 Denotes instructions that draw your attention to special features.

◀ Denotes the end of the instruction or other text.

Installation information

All pictures show LHD cars; proceed in the same way on RHD cars.

Some of the installation is shown only on the left-hand side of the car; proceed in the same way on the right-hand side of the car.

Ensure that the cables and/or lines are not kinked or damaged as you install them in the car. Costs arising from this will not be reimbursed by BMW AG.

Additional cables/lines that you install must be secured with cable ties.

To order, a decorative trim without a switch for the steering wheel heating can be installed. This is not included in the retrofit kit and must be ordered separately (7 856 290). In addition the multi-function keys must be installed in the new decorative trim as described in **AIR**.

All cables, lines and control units must be taken from the standard M sport steering wheel.

Information for the workshop

When installing the M Performance steering wheel in cars with steering wheel heating SA 248, the heating function will no longer work. It does not need to be decoded. The switch for steering wheel heating remains non-functional. The error memory message can be ignored.

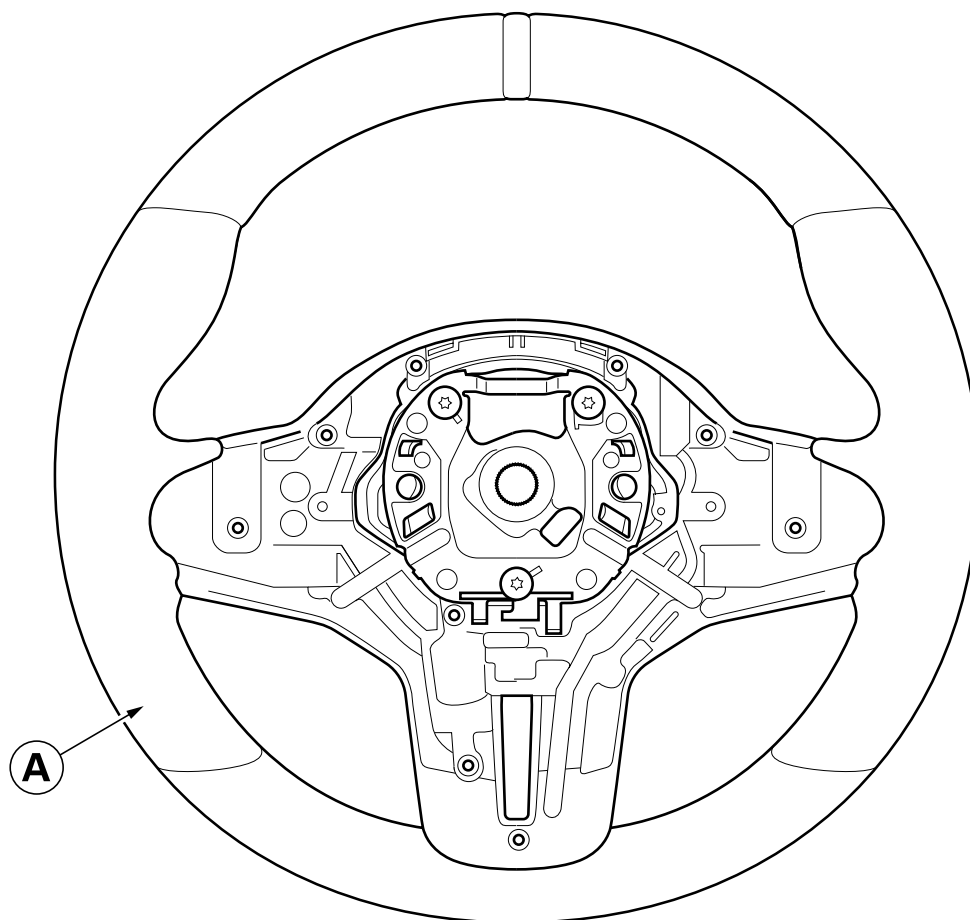
Special tools required

None

Table of contents

Section	Page
1. Parts list	4
2. Preparatory work	5
3. Installation	6
4. Concluding work and coding	8

1. Parts list



G30 0320 M

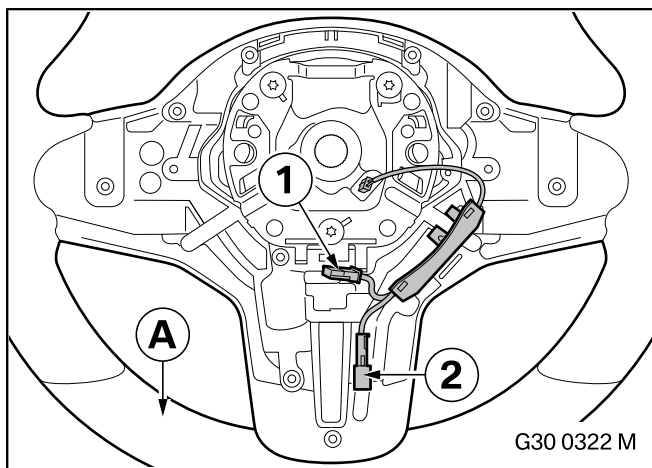
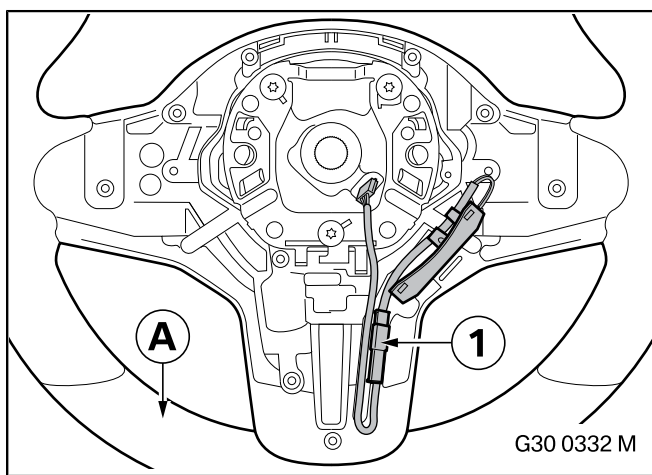
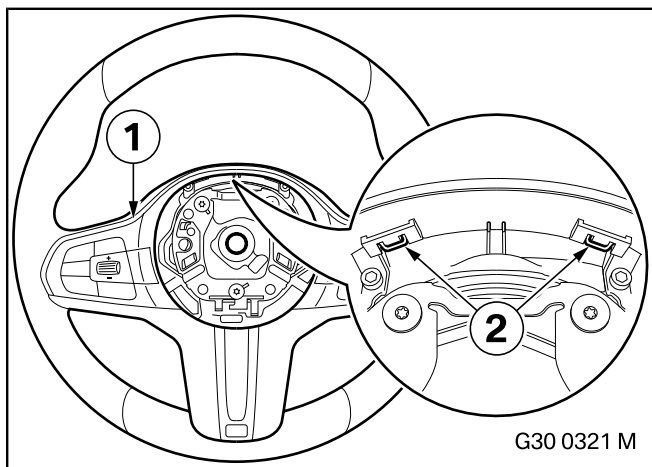
Legend

A M Performance steering wheel

2. Preparatory work

	AIR No.
Conduct a brief test	---
Disconnect the negative terminal of the battery	12 00 ...
The following components must be removed first of all	
Airbag unit	61 31 062
M sport steering wheel	61 31 062
Gearshift paddles (if fitted)	61 31 062
M decorative trim	61 31 062
All cables, lines and control units	

3. Installation



Remove the airbag unit, M sport steering wheel, gearshift paddles (if fitted) and M decorative trim (1) as described in **AIR**.

When you remove the M decorative trim (1), ensure that the detents (2) are not damaged.

▣ All cables, lines and control units for the M sport steering wheel must be used in exactly the same way in the M Performance steering wheel **A**. ◀

Install all cables, lines and control units into the M Performance steering wheel **A**.

For cars without steering wheel heating SA 248 and with control unit:

▣ The recesses for the cables and lines differ between the M sport steering wheel and the M Performance steering wheel **A**. Route the cable from the control unit as parallel as possible to the plug connector (1). ◀

Route the plug connector (1) as shown.

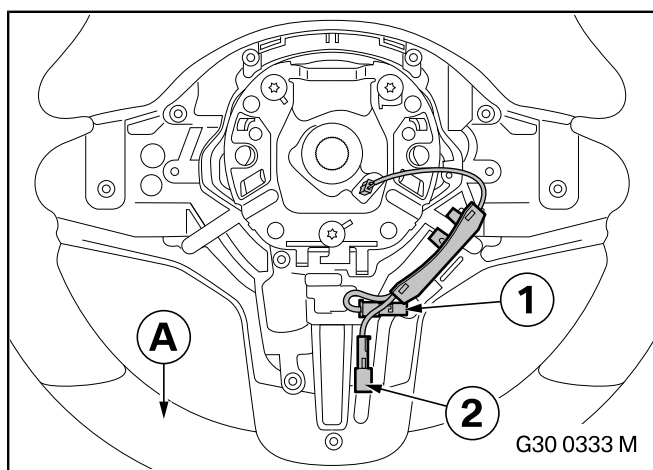
For cars with steering wheel heating SA 248 and standard M decorative trim:

▣ The switch for steering wheel heating remains non-functional. The error memory message can be ignored. ◀

Insert the plug (1) into the switch for the steering wheel heating.

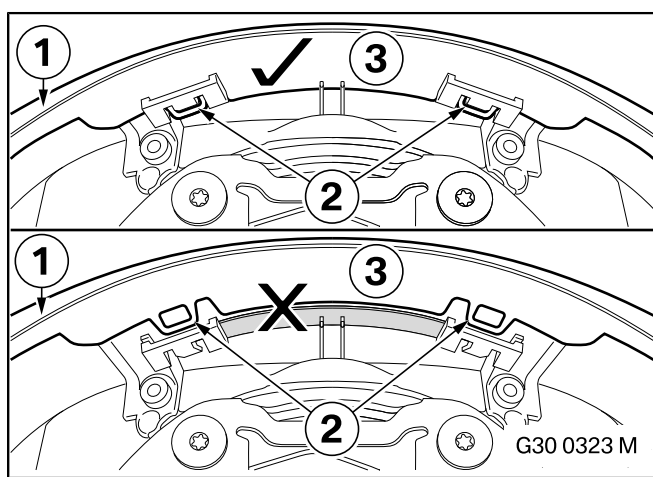
Route the plug (2) as shown.

3. Installation



For cars with steering wheel heating SA 248 and M decorative trim (7 856 290):

Route the plugs (1) and (2) as shown. Ensure that plug (1) is firmly inserted beneath plug (2).



Install the gearshift paddles (if fitted) M decorative trim (1) as described in **AIR**. When you install the M decorative trim (1), ensure that the detents (2) and the flange (3) are not damaged.

Install the M Performance steering wheel **A** and airbag unit as described in **AIR**.

4. Concluding work and coding

The retrofit system does not require programming/coding.

- Connect the battery
- Conduct a function test
- Re-assemble the car